

### READ ME !

Thank you for purchasing a Front Runner Toyota Land Cruiser 100 Series Slimsport rack 40" light bar wind fairing. Before you start, take a moment to familiarize yourself with the Fitting Instructions and the components received. Refer to Page 2 for a list of all the components, quantities and tools required.

### IMPORTANT WARNING!

IT IS CRITICAL THAT ALL FRONT RUNNER PRODUCTS BE PROPERLY AND SECURELY ASSEMBLED AND ATTACHED TO YOUR VEHICLE. IMPROPER ATTACHMENT COULD RESULT IN AN AUTOMOBILE ACCIDENT, AND COULD CAUSE SERIOUS BODILY INJURY OR DEATH. YOU ARE RESPONSIBLE FOR ASSEMBLING AND SECURING ALL FRONT RUNNER PRODUCTS TO YOUR VEHICLE, CHECKING THE ATTACHMENTS PRIOR TO USE, AND PERIODICALLY INSPECTING THE PRODUCTS FOR ADJUSTMENT, WEAR AND DAMAGE. THEREFORE, YOU MUST READ AND UNDERSTAND ALL OF THE INSTRUCTIONS AND PRECAUTIONS SUPPLIED WITH YOUR FRONT RUNNER PRODUCT PRIOR TO INSTALLATION OR USE. IF YOU DO NOT UNDERSTAND ALL OF THE INSTRUCTIONS AND CAUTIONS, OR IF YOU HAVE NO MECHANICAL EXPERIENCE AND ARE NOT THOROUGHLY FAMILIAR WITH THE INSTALLATION PROCEDURES, YOU SHOULD HAVE THE PRODUCT INSTALLED BY A PROFESSIONAL INSTALLER OR OTHER QUALIFIED PERSONNEL.

**NOTE:** Front Runner will not be responsible for any damage caused by the failure to install the product according to these instructions. Please call us if you have any questions about the installation of this product.

# 1

## GET ORGANIZED

### IN THE BOX

1	1 X	Light Bar Wind Fairing
2	2 X	Wind Fairing Side Support 1LH & 1RH
3	1 X	Wind Fairing Centre Support
4	13 X	M6 x 16 Flange Button Head
5	2 X	Light Bar Side Bracket 1LH & 1RH
6	5 X	M8 x 16 Hex Bolt
7	3 X	M8 x 16 x 1.6 Flat Washer
8	5 X	M8 Nyloc Nut
9	5 X	M8 Nut Cap
10	1 X	Rubber Seal
11	2 X	Light Bar Bracket Low profile
12	2 X	Light Bar Bracket High profile

### TOOLS NEEDED

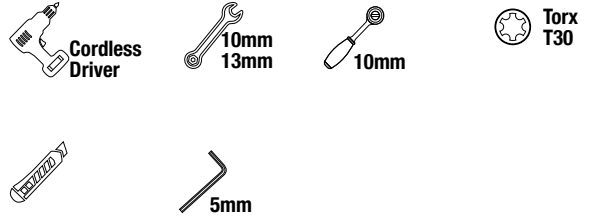
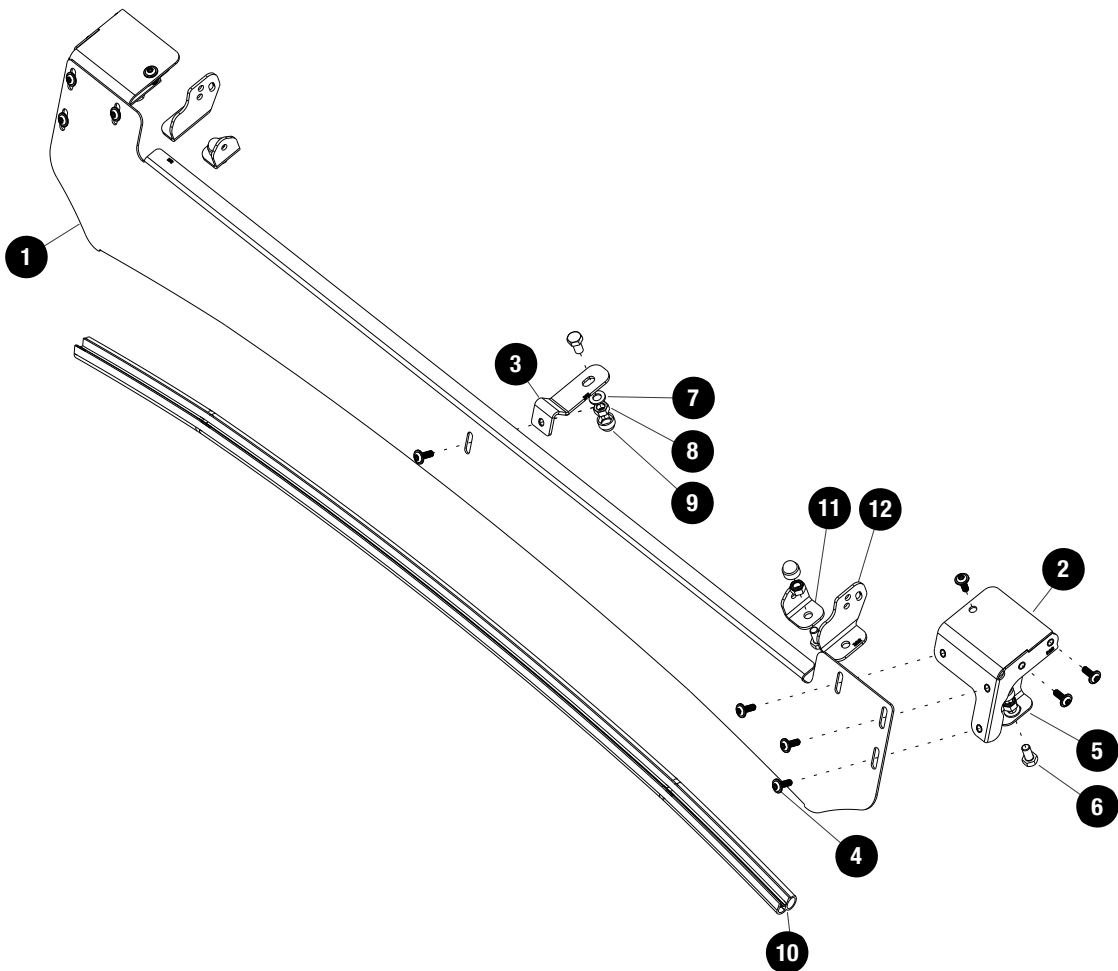


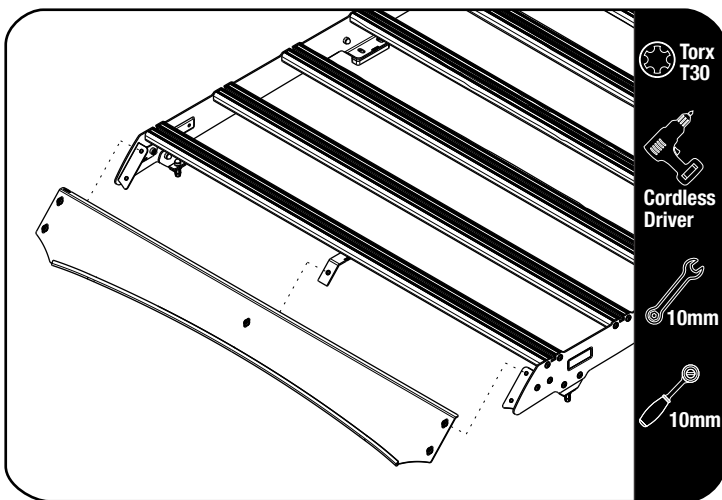
FIGURE 1.1



2

**FIT AND SECURE**

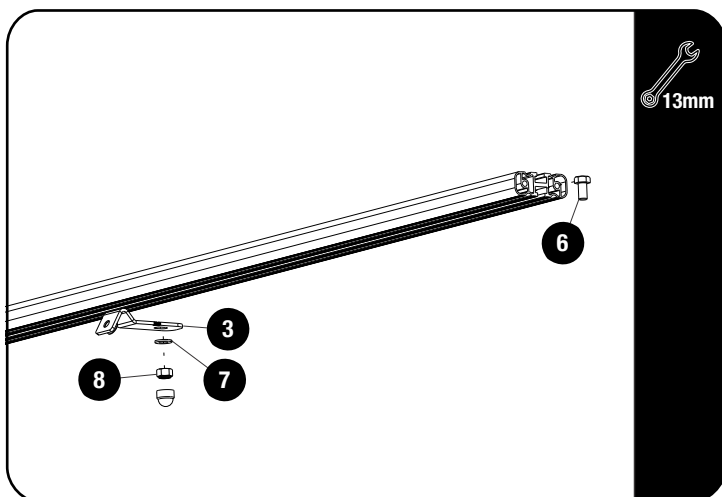
2.1



Remove the Slimsport Wind Fairing and Side Support Brackets.

Loosen the M6 x 25 Thread forming Screw and remove the front slat. Keep the M6 x 25 Thread forming screws aside for later use.

2.2

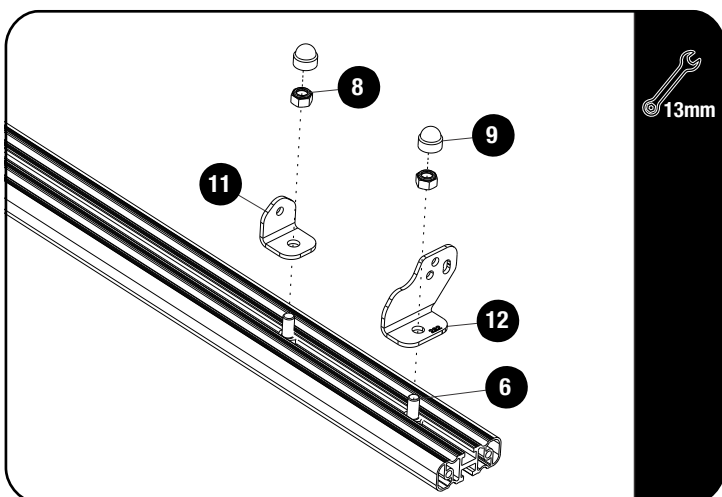


Remove the Wind Fairing Centre Support Bracket that is currently on the slat and replace it with the Wind Fairing Centre Support Bracket supplied with this kit (Item 3).

Slide one M8 x 16 Hex Bolt (Item 6) into the T-slot of the front slat. Center the Mid Support Bracket in the middle of the slat and secure using a M8 x 16 x 1.6 Flat Washer and M8 Nyloc Nut (Items 7 & 8).

**DO NOT FULLY TIGHTEN.**

2.3

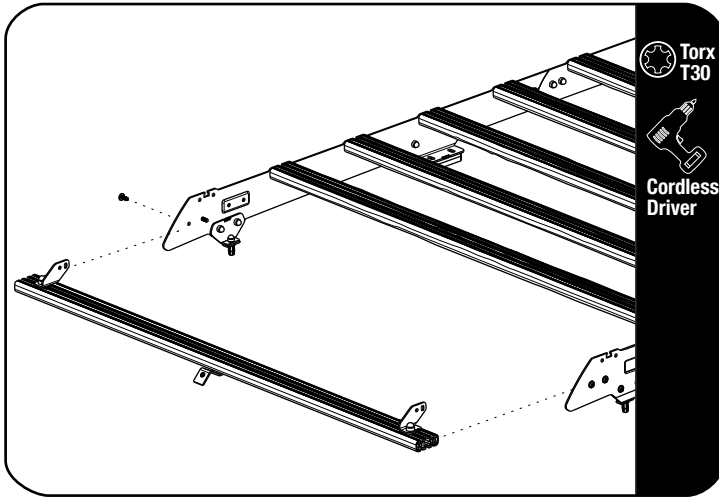



Use the Light Bar Bracket High profile (Item 12) to fit a high profile Light Bar.

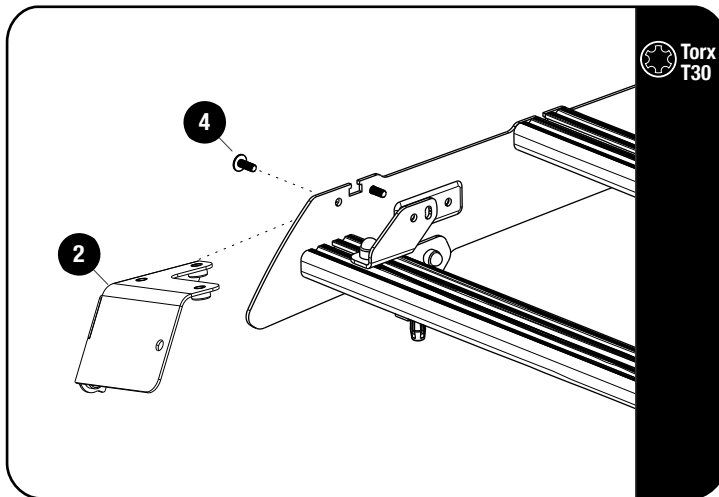
Use the Light bar Bracket Low Profile (Item 11) to fit a Low Profile Light Bar.


Fit the Light Bar Bracket (Item 11 or 12) using M8 x 16 Hex Bolt & M8 Nyloc Nut (Items 6 & 8). Fit light bar and center on slat before fully tightening the brackets.

Place M8 Nut Caps (Item 9) over all M8 Nyloc Nuts.

**2****FIT AND SECURE****2.4**

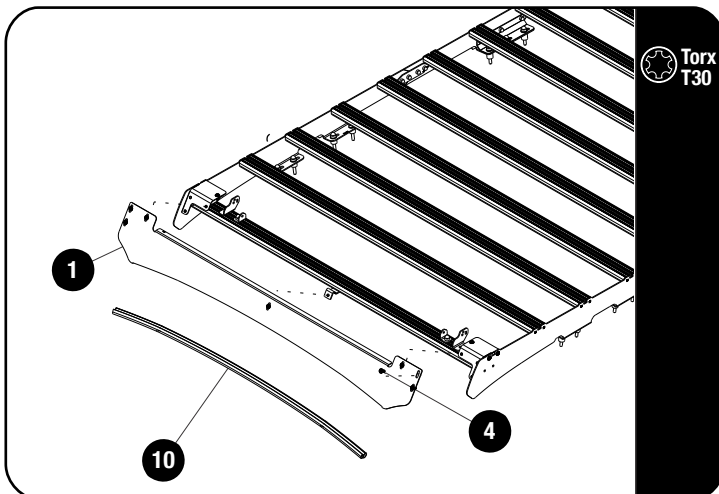
 Secure assembly 2.3 to the front two bottom holes on the foot rails using the fasteners removed in step 2.1. Fully tighten.

**2.5**

 Secure the Wind Fairing Side Supports LH / RH (Item 2) to the foot rails top holes as shown using M6 x 16 Flange Button Head Bolt (Item 4).

**Tightening Torque:**

**M6 : 8-10Nm / 5.9 ft lb - 7.38 ft lb**

**2.6**

 Fit the Wind Fairing Rubber (Item 10) to the Light Bar Wind Fairing (Item 1). Using the notched section as a guide, trim if needed.

Secure the Light Bar Wind Fairing assembly to the rack assembly, using M6 x 16 Flange Button Head Bolts (Item 4) and fully tighten all the bolts.

3

### FINISH

Congratulations! You did it. Take a step back and admire your work!

4

### INSTALL OTHER VEHICLE AND RACK ACCESSORIES

Now's the time to visit your favorite Front Runner Dealer in person or online.

Be sure to tag us. We love to see our gear in action! #FrontRunnerOutfitters #BornToRoam

Share your adventures on: 