

START HERE!

READ ME FIRST

Don't be a hero and muscle through this installation without reading these fitting instructions first! Improper installation of this gear may void certain aspects of your warranty.

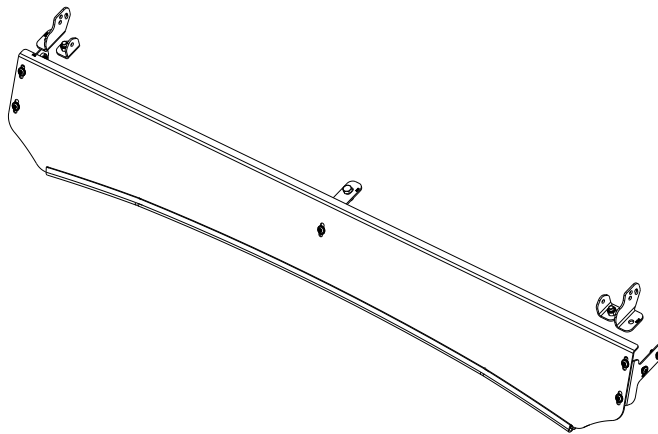
Before you begin, take a moment and open all your Front Runner rack kit boxes and gather the assembly instructions for the various components.

A complete kit will contain:

1. A Front Runner Mounting System specific to your vehicle
2. A Front Runner Rack Tray or Load Bar Slats

This document will guide you through the assembly of the mounting system and assist you in fitting the roof rack tray or load bars to your specific vehicle.

Please refer to the next page for a list of all the components, quantities and tools required.



IMPORTANT WARNING! ⚠️

IT IS CRITICAL THAT ALL FRONT RUNNER PRODUCTS BE PROPERLY AND SECURELY ASSEMBLED AND ATTACHED TO YOUR VEHICLE. IMPROPER ATTACHMENT COULD RESULT IN AN AUTOMOBILE ACCIDENT, AND COULD CAUSE SERIOUS BODILY INJURY OR DEATH. YOU ARE RESPONSIBLE FOR ASSEMBLING AND SECURING ALL FRONT RUNNER PRODUCTS TO YOUR VEHICLE, CHECKING THE ATTACHMENTS PRIOR TO USE, AND PERIODICALLY INSPECTING THE PRODUCTS FOR ADJUSTMENT, WEAR AND DAMAGE. THEREFORE, YOU MUST READ AND UNDERSTAND ALL OF THE INSTRUCTIONS AND PRECAUTIONS SUPPLIED WITH YOUR FRONT RUNNER PRODUCT PRIOR TO INSTALLATION OR USE. IF YOU DO NOT UNDERSTAND ALL OF THE INSTRUCTIONS AND CAUTIONS, OR IF YOU HAVE NO MECHANICAL EXPERIENCE AND ARE NOT THOROUGHLY FAMILIAR WITH THE INSTALLATION PROCEDURES, YOU SHOULD HAVE THE PRODUCT INSTALLED BY A PROFESSIONAL INSTALLER OR OTHER QUALIFIED PERSONNEL.

NOTE: Front Runner will not be responsible for any damage caused by the failure to install the product according to these instructions.

Please call us if you have any questions about the installation of this product.



1 GET ORGANIZED

IN THE BOX

1	2 X	Side Bracket 1 LH / 1 RH
2	1 X	Wind Fairing
3	9 X	M6 x 16 Flange Button Head Bolt
4	1 X	Centre Bracket
5	2 X	Light Bar Bracket 01 1 LH / 1 RH
6	2 X	Light Bar Bracket 02 1 LH / 1 RH
7	3 X	M8 x 16 Hex Bolt
8	3 X	M8 Nyloc Nut
9	3 X	M8 Nut Cap
10	1 X	Rubber Seal

TOOLS NEEDED



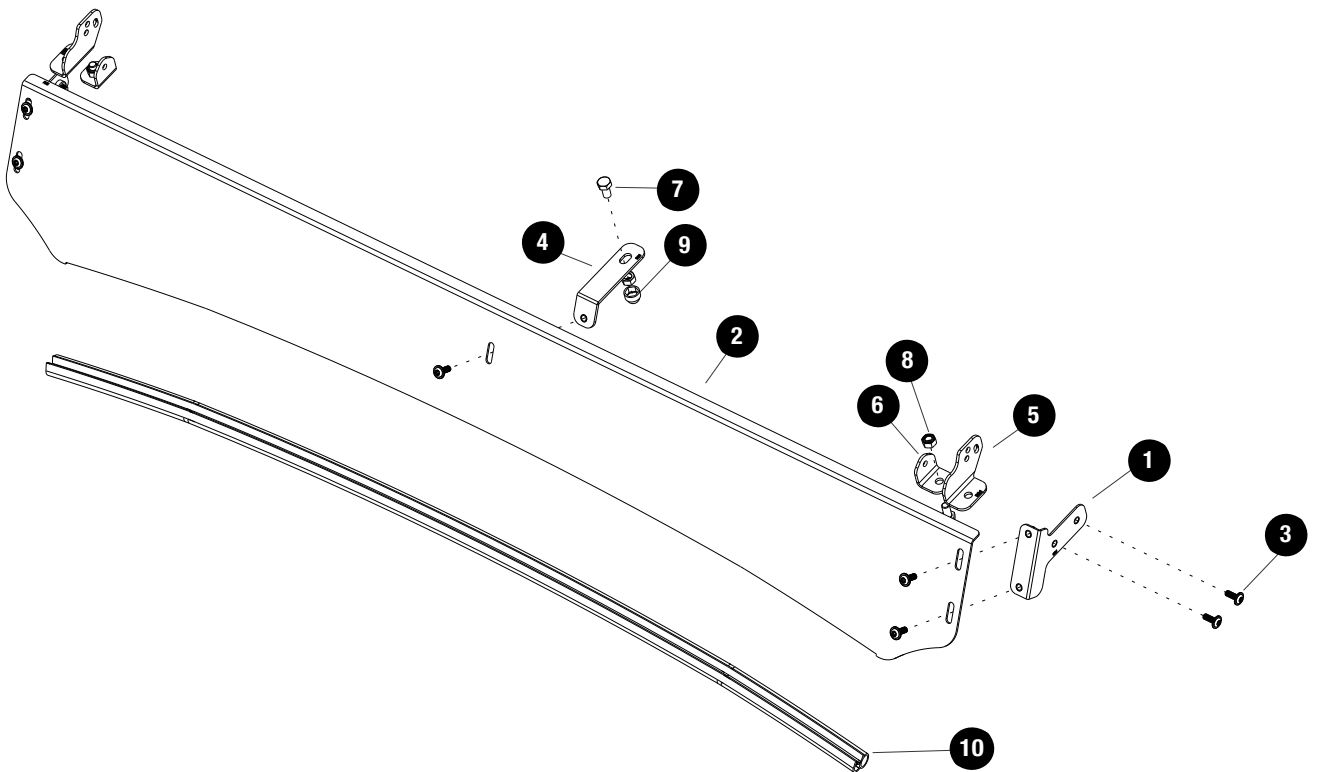
Torx
T30



13mm



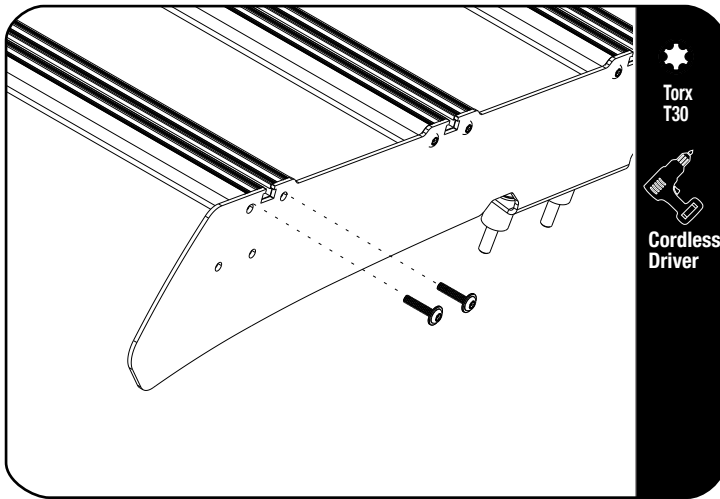
Cordless
Driver



2

FIT AND SECURE

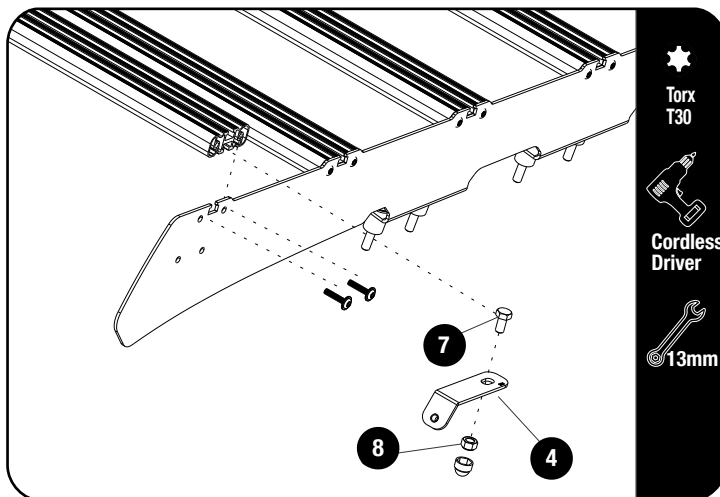
2.1



Start by undoing the bolts on the front of the Roof rack holding the front slat in place using a T30 Torx bit.
Remove the front slat.

Torx T30
Cordless Driver

2.2



Slide the M8 x 16 Hex Bolt (Item 7) into the slat as shown.

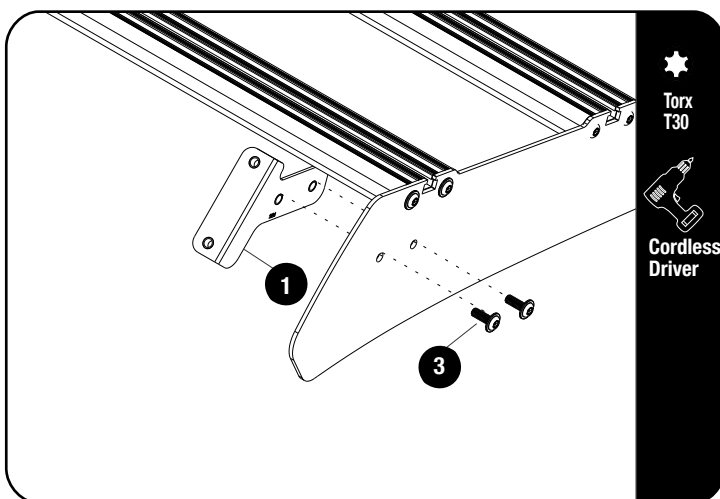
Place the Wind Fairing Center Support Bracket (Item 4) over the M8 x 16 Hex Bolt (Item 7) with the M8 Nyloc Nut (Item 8).

Slide the Wind Fairing Center Support Bracket to the center of the slat. DO NOT TIGHTEN.

Refit the Slat to the Roof Rack and tighten the side with T30 Torx.

Torx T30
Cordless Driver
13mm

2.3



Assemble the Wind Fairing Side Brackets (Item 1) on the Left and Right side with the M6 x 16 Button Head Flange Bolt (Item 3) as shown.



Tightening Torque:

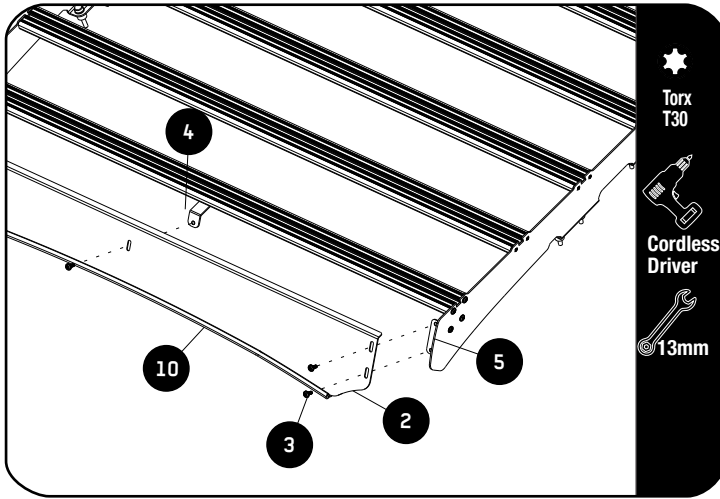
M6 : 8-10Nm / 5.9 ft lb - 7.38 ft lb

Torx T30
Cordless Driver

2

FIT AND SECURE

2.4



Assemble the Wind Fairing and Wind Fairing Rubber Seal (Item 2 & 10). The bubble should face down. Trim if required.

Fasten the above mentioned assembly to the Support Brackets (Item 4 & 5) with the M6 x 16 Button Head Flange Bolts (Item 3) using a T30 Torx as shown.

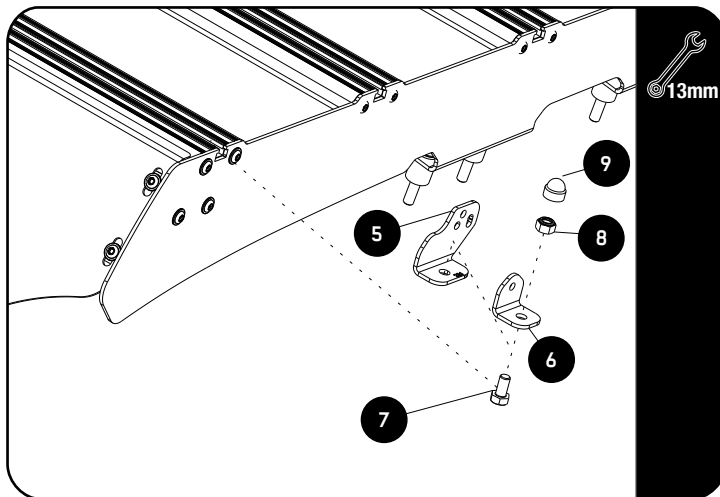
Fully tighten the M8 Nyloc Nut that was inserted in 2.2.



Tightening Torque:

M8 : 15-20Nm / 11.06 ft lb - 14.75 ft lb

2.5



If you would like to fit a Light Bar above the rack using the standard fairing, position the light bar brackets (Item 5 or 6) and secure using a M8x20 hex bolt and a M8 Nyloc Nut (Item 7 & 8)

Do the same on the opposite side.

Place M8 Nut Caps (Item 9) over all the nuts.

3

COMPLETION

3.1

Congratulations! You did it. Take a step back and admire your work!



4

INSTALL OTHER VEHICLE AND RACK ACCESSORIES

Now's the time to visit your favorite Front Runner dealer in person or online.

IMPORTANT!

FRONT RUNNER RACK KITS OFTEN HAVE A HIGHER LOAD RATING THAN THE VEHICLES THEY ARE MOUNTED TO. PLEASE REFER TO YOUR SPECIFIC VEHICLE MANUFACTURER FOR A RECOMMENDED ROOF RATING. FRONT RUNNER CANNOT BE RESPONSIBLE FOR IMPROPER LOADING BEYOND THE VEHICLE MANUFACTURER'S STATED LOAD CAPACITY.

Be sure to tag us. We love to see our gear in action! #FrontRunnerOutfitters #BornToRoam

Share your adventures on: 